

**KITCHEN SINK**

KS1183SS12SS



**Description**

- 304 Stainless Steel
- Undermount Installation
- 16 Gauge
- Zero Radius corners
- 23"x20"x19"
- Sound deadening pads on sides and bottom of Sink

**Codes/Standards Applicable**

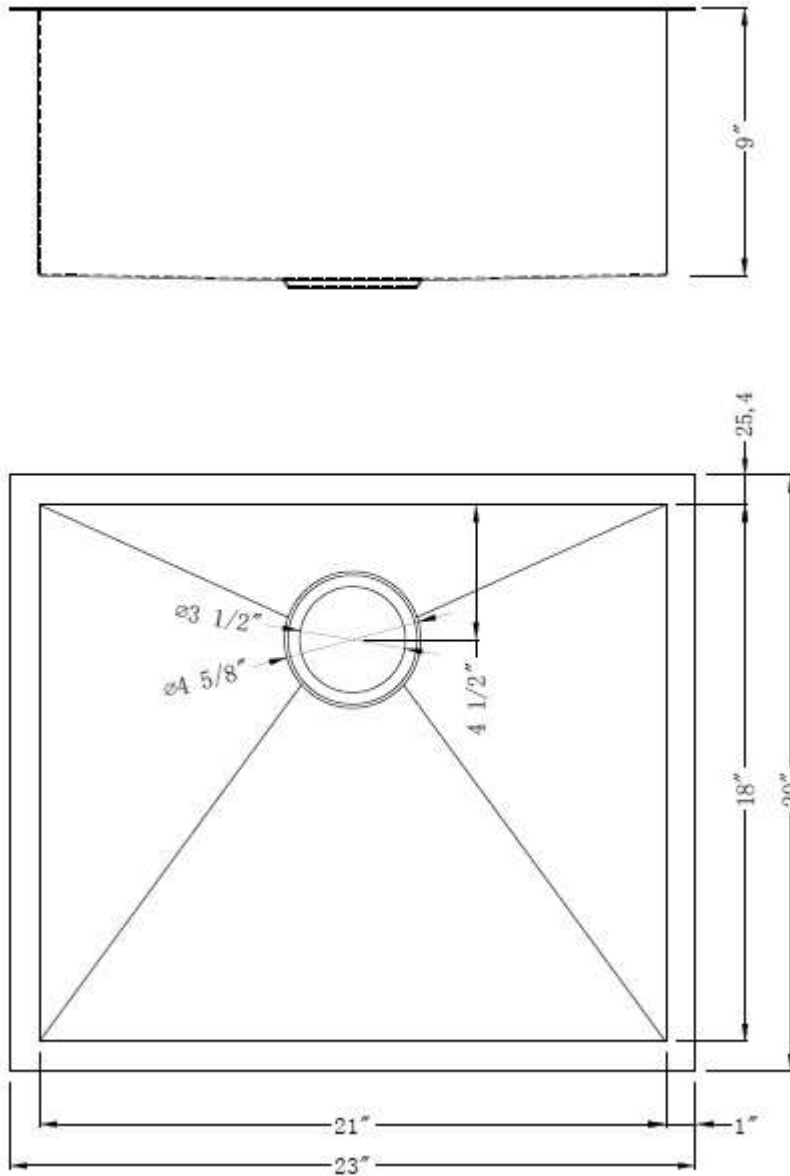
Specified model meets or exceeds the following:

- ASME A112.19.3

**Colors/Finishes**

- Stainless Steel

**KITCHEN SINK**  
KS1183SS12SS



**Product Diagram**