

**KITCHEN SINK**

KS1175SS12SS-6



**Description**

- 304 Stainless Steel
- 16 Gauge
- Rounded Corners
- 25" x 18" x 6"
- Sound deadening pads on sides and bottom

**Codes/Standards Applicable**

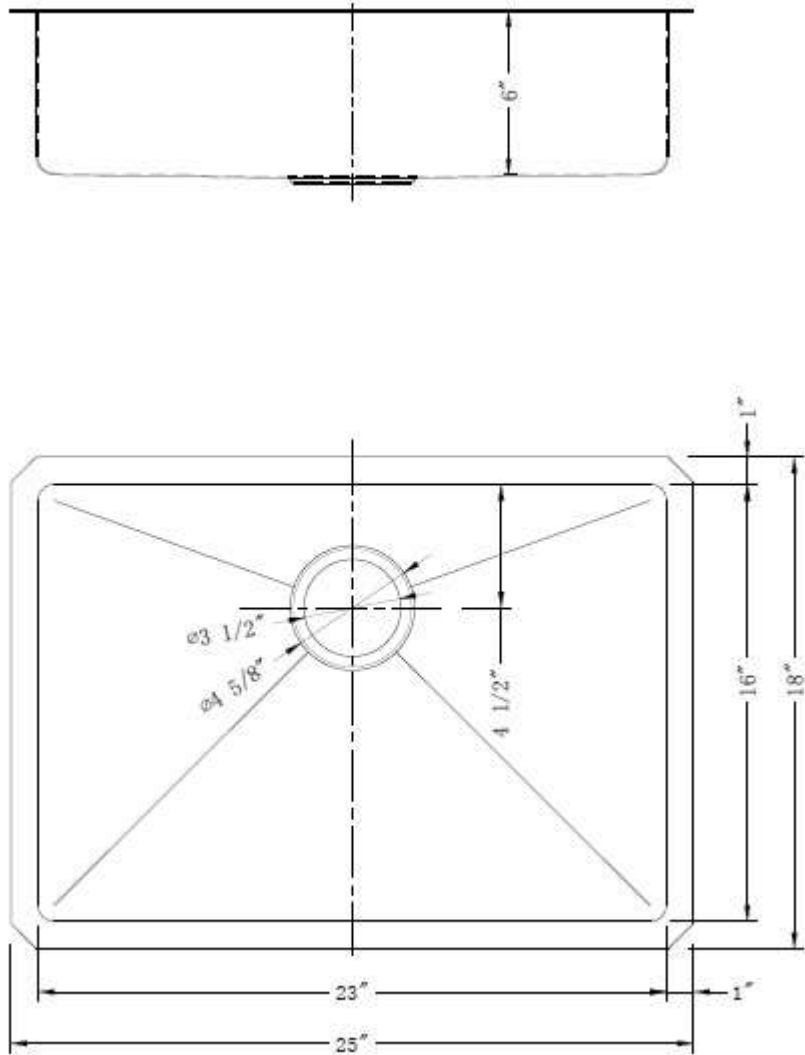
Specified model meets or exceeds the following:

- ASME A112.19.3

**Colors/Finishes**

- Satin Finish
- Mirror Finish

**KITCHEN SINK**  
KS1175SS12SS-6



**Product Diagram**