

KITCHEN SINK
KS1152SS12SS



Description

- 304 Stainless Steel
- 16 Gauge
- Zero Radius corners
- Sound deadening pads on sides and bottom
- 25"x18.5"x10"

Codes/Standards Applicable

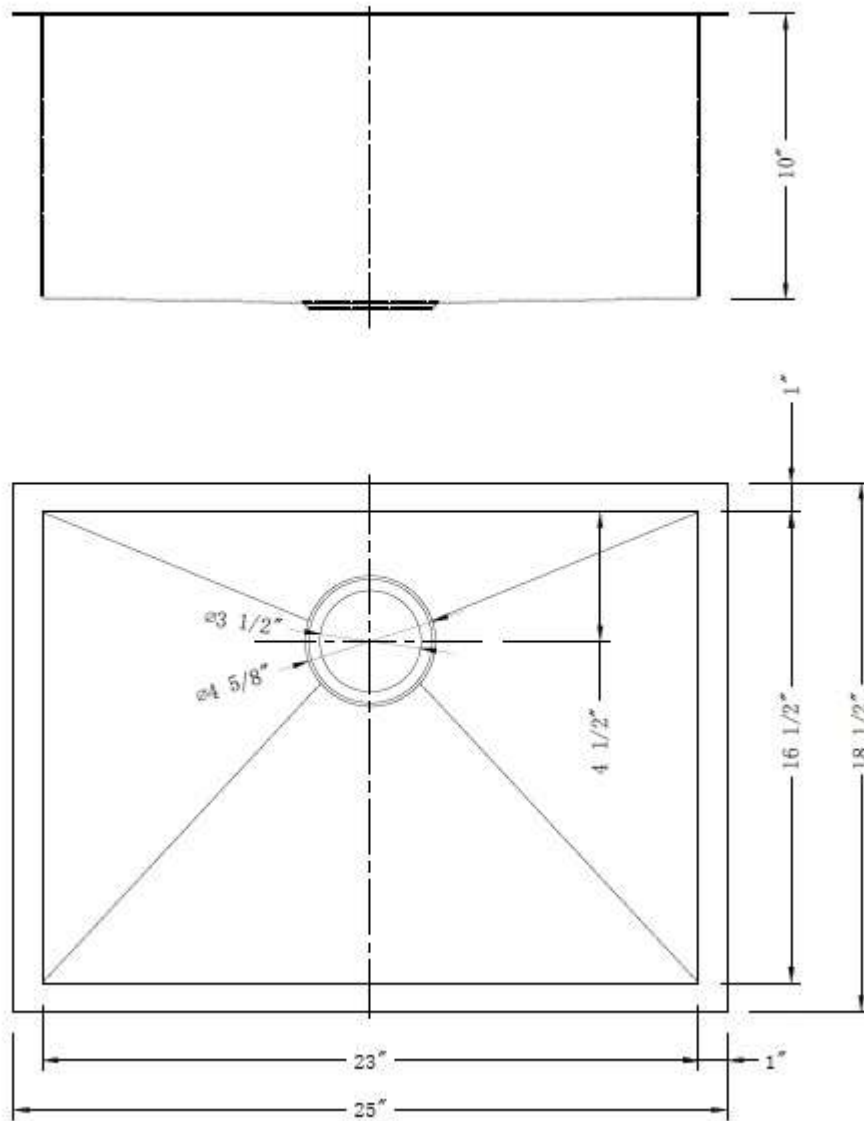
Specified model meets or exceeds the following:

- ASME A112.19.3

Colors/Finishes

- Satin Finish

KITCHEN SINK
KS1152SS12SS



Product Diagram