

**KITCHEN SINK**

KS1130SS12SS



**Description**

- 304 Stainless Steel
- 16 Gauge
- Rounded Corners 3/8" Radius
- 22" x 20" x 10"
- Sound deadening pads on sides and bottom
- Strainer included

**Codes/Standards Applicable**

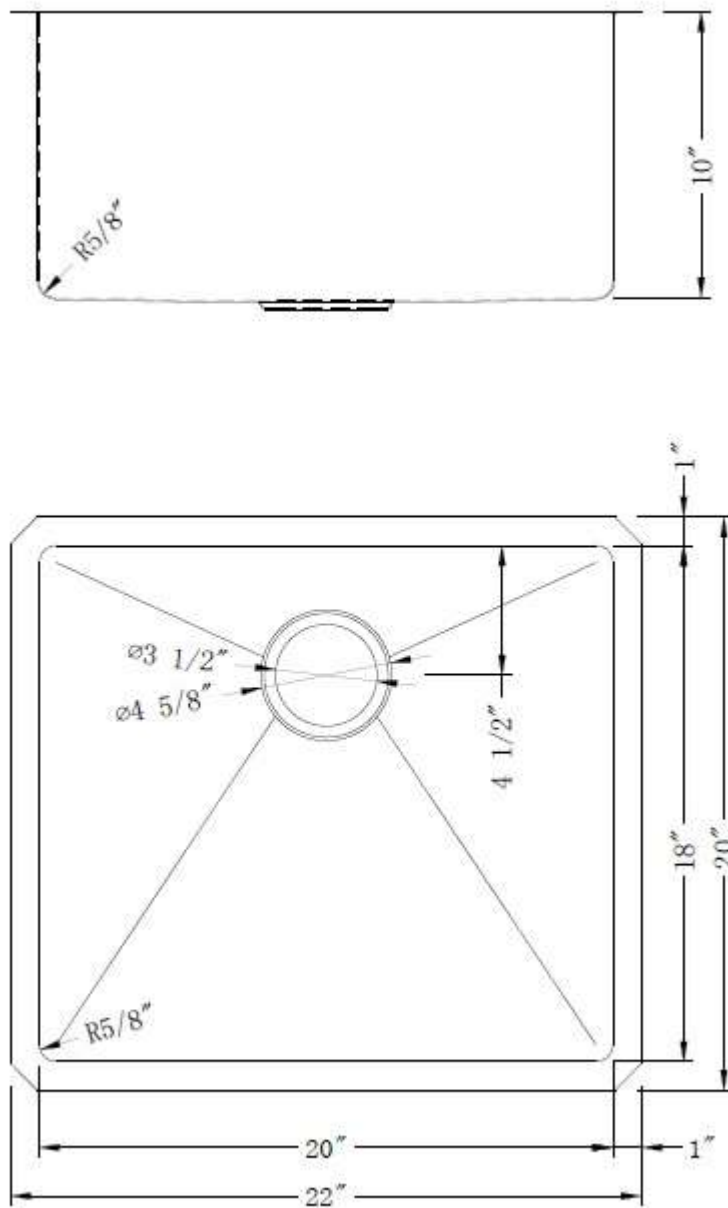
Specified model meets or exceeds the following:

- ASME A112.19.3

**Colors/Finishes**

- Satin Finish
- Mirror Finish

**KITCHEN SINK**  
KS1130SS12SS



**Product Diagram**