

KITCHEN SINK

KS1107SS12SS



Description

- 304 Stainless Steel
- 16 Gauge
- Rounded Corners
- 23"x17"x 5 1/2"
- Sound deadening pads on sides and bottom

Codes/Standards Applicable

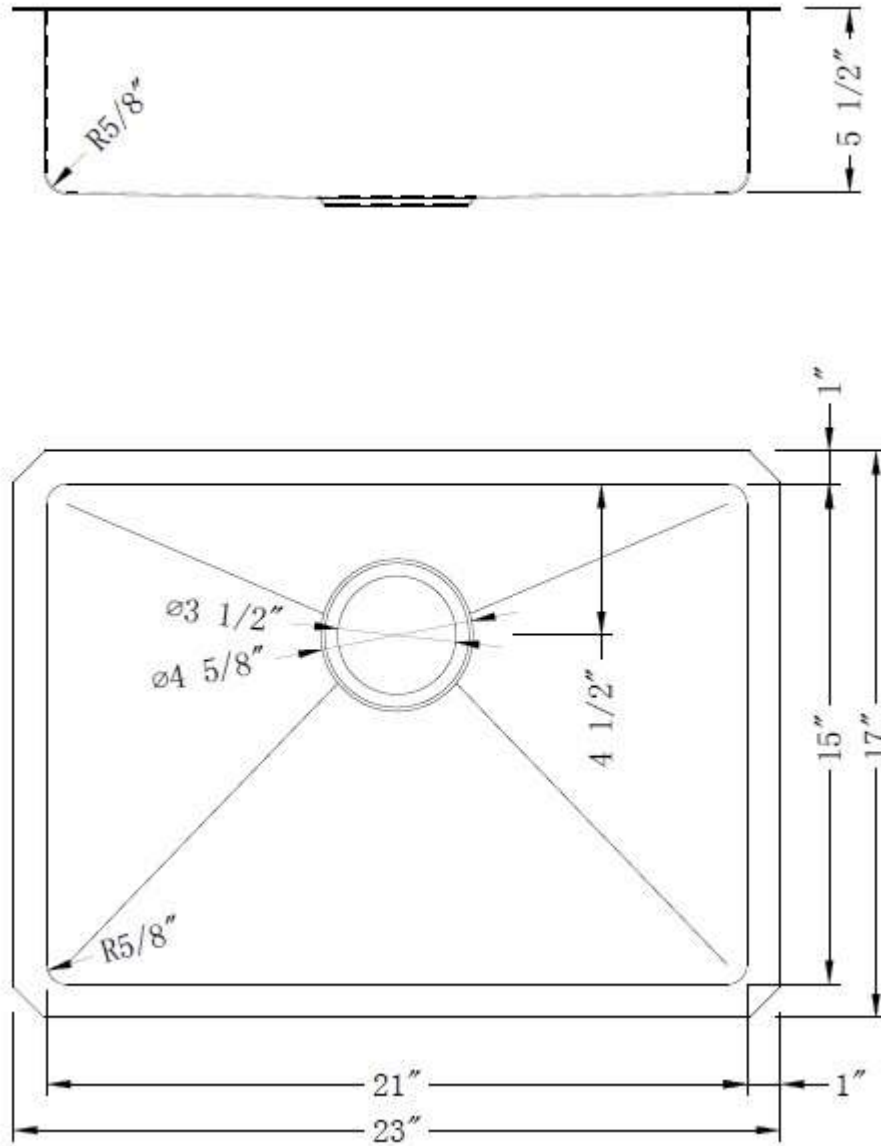
Specified model meets or exceeds the following:

- ASME A112.19.3

Colors/Finishes

- Satin Finish
- Mirror Finish

KITCHEN SINK
KS1107SS12SS



Product Diagram