

KITCHEN SINK

KS1096SS12SS



Description

- 304 Stainless Steel
- 16 Gauge
- Rounded Corners
- 20" x 15" x 10"
- Sound deadening pads on sides and bottom

Codes/Standards Applicable

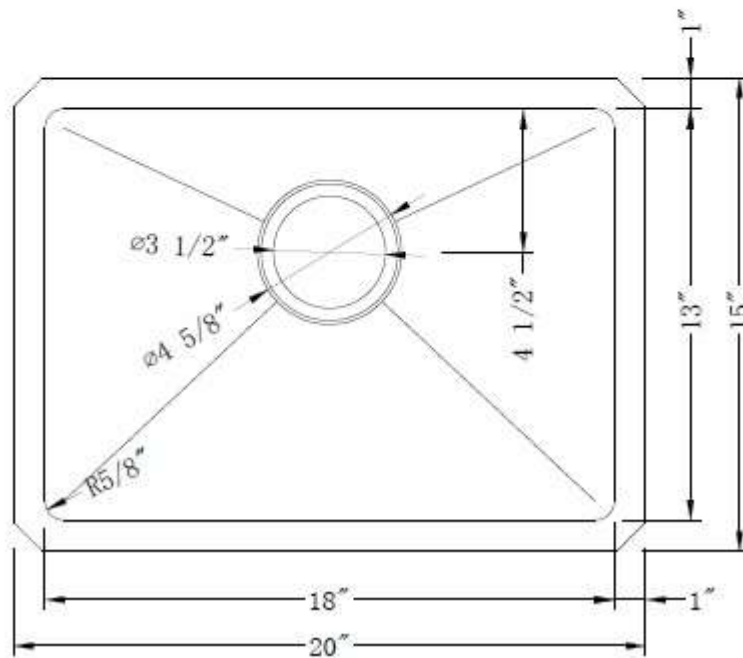
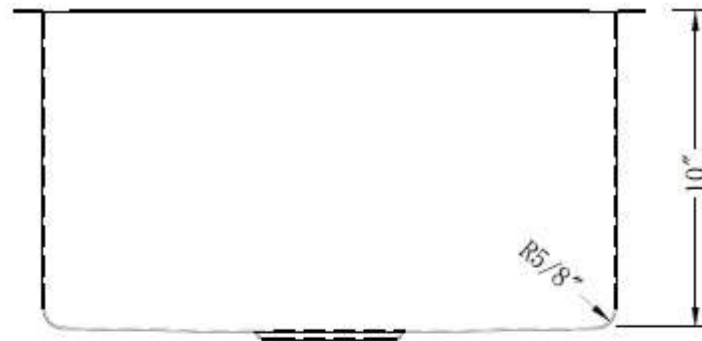
Specified model meets or exceeds the following:

- ASME A112.19.3

Colors/Finishes

- Satin Finish
- Mirror Finish

KITCHEN SINK
KS1096SS12SS



Product Diagram