

KITCHEN SINK

KS1065SS12SS-6



Description

- 304 Stainless Steel
- 16 Gauge
- Rounded Corners 3/8" Radius
- 23"x18"x6"
- Sound deadening pads on sides and bottom
- Strainer included

Codes/Standards Applicable

Specified model meets or exceeds the following:

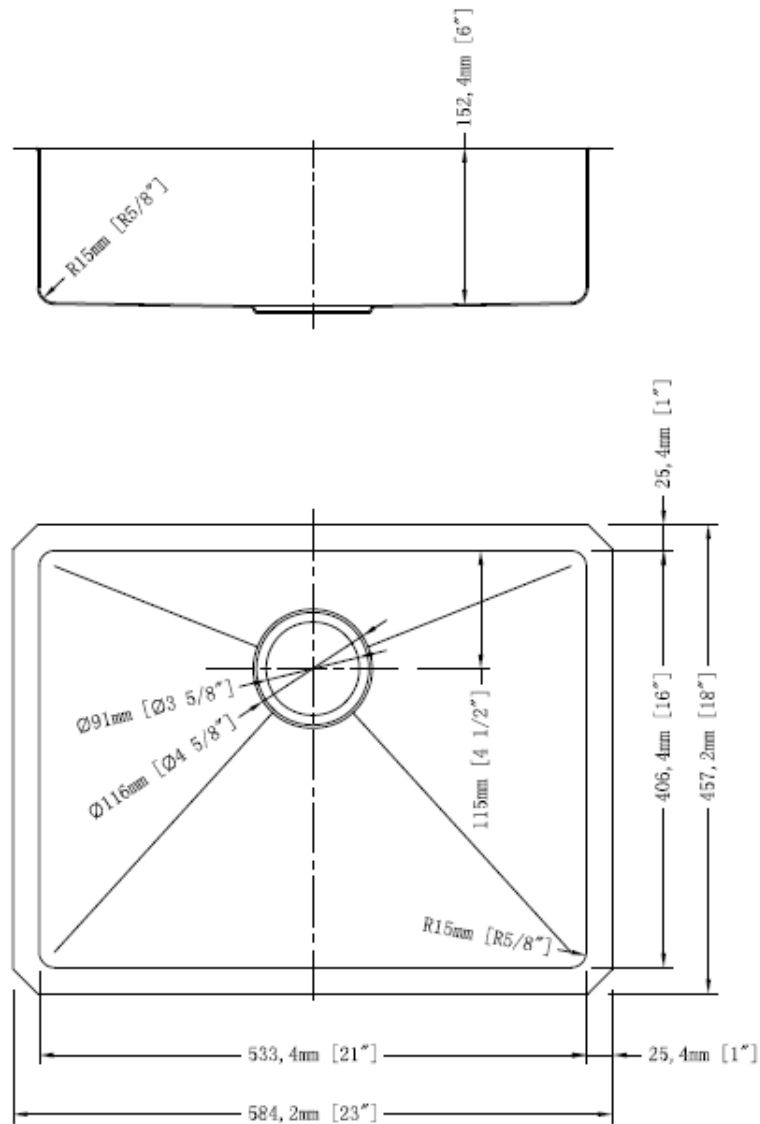
- ASME A112.19.3

Colors/Finishes

- Satin Finish
- Mirror Finish

KITCHEN SINK

KS1065SS12SS-6



Product Diagram