

TOWEL RING

TR1042BR13PC



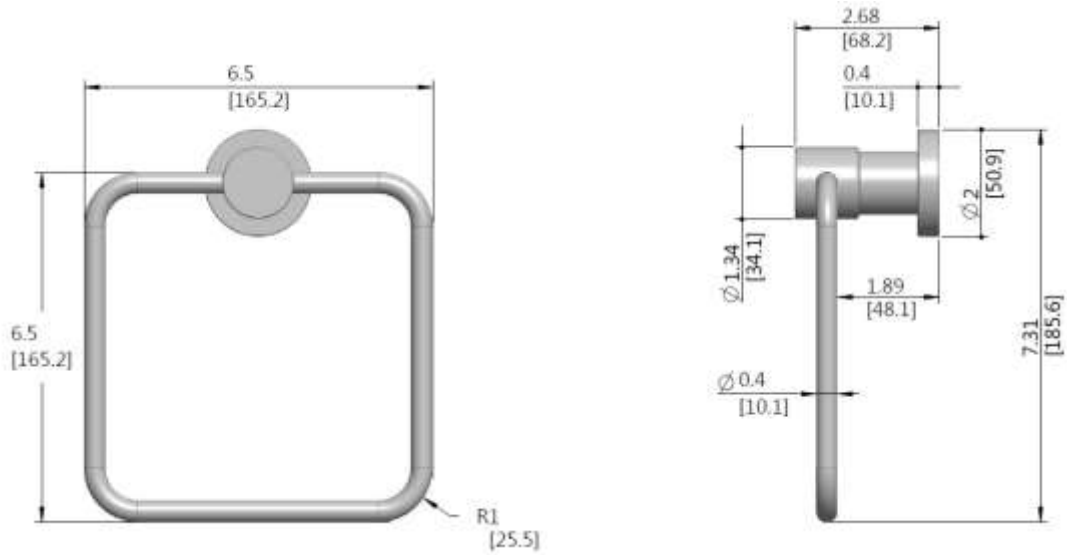
Description

- Brass Material

Colors/Finishes

- Polished Chrome
- Brushed Chrome
- Polished Nickel
- Satin Nickel

TOWEL RING
TPH1042BR13PC



Product Diagram