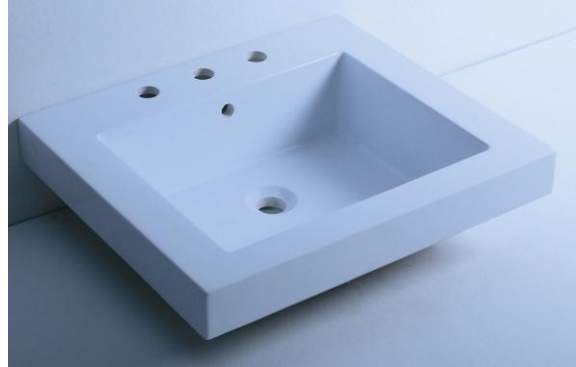


LAVATORY
LV1047CM2G



Description

- Solid Capstone Material
- With overflow
- One, two or three hole faucet
- Wall mount available
- Custom sizes available upon request

Codes/Standards Applicable

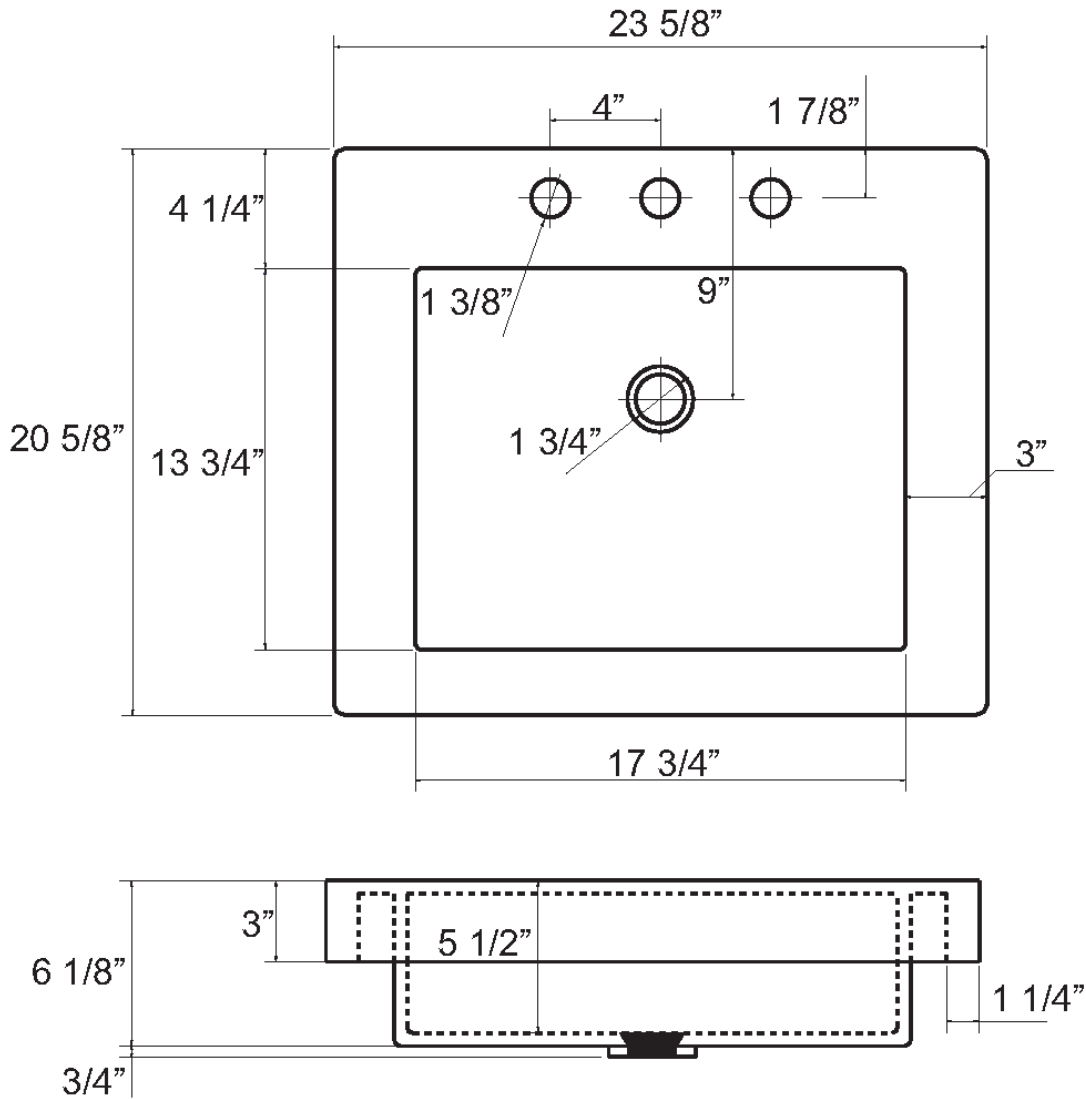
Specified model meets or exceeds the following:

- ANSI Z124.3.95
- ADA Compliant

Colors/Finishes

- Glossy/White
- Matte/White

LAVATORY
LV1047CM2G



Product Diagram