

THERMOSTATIC TRIM

TT1013BR13-11PC



Description

- Thermo Trim
- Solid Brass Material
- Round face plate

Codes/Standards Applicable

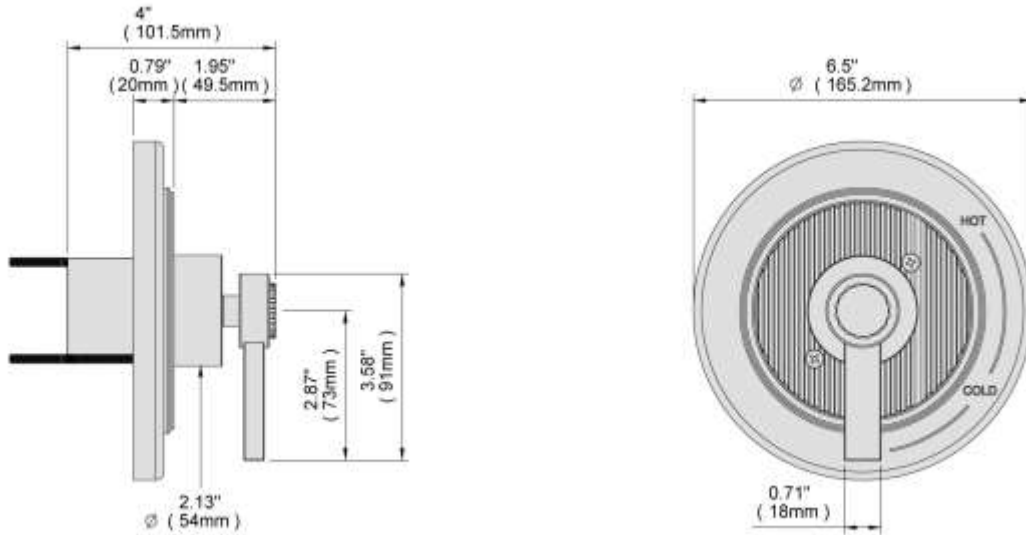
Specified model meets or exceeds the following:

- ASME/ANSI A112.18.1M
- ADA Compliant

Colors/Finishes

- Polished Chrome
- Brushed Chrome
- Polished Nickel
- Satin Nickel
- Antique Bronze

THERMOSTATIC TRIM
TT101313BR13-11PC



Product Diagram