

LAVATORY FAUCET

LFH1115BR2SN-W



Description

- Brass Material
- Deck mount
- White Single Lever Handle

Codes/Standards Applicable

Specified model meets or exceeds the following:

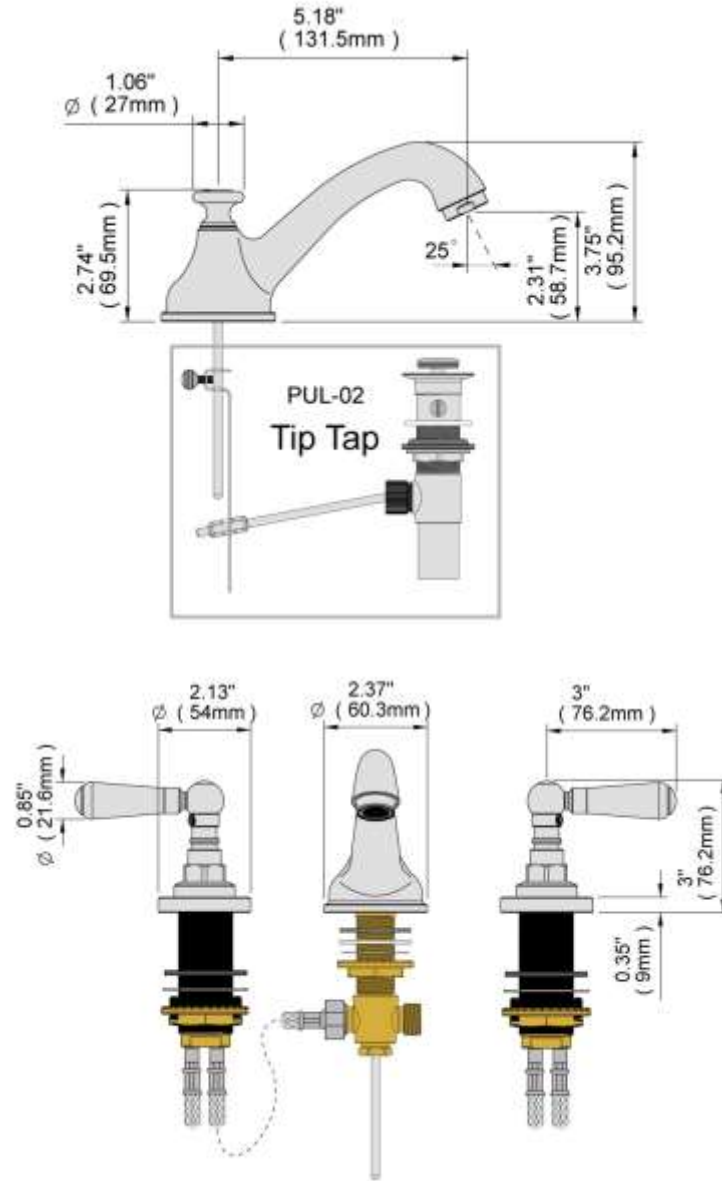
- ASME A112.18.1
- ADA Compliant
- 1.5 GPM at 60 PSI

Colors/Finishes

- Polished Chrome
- Brushed Chrome
- Polished Nickel
- Satin Nickel

LAVATORY FAUCET

LFH1115BR2SN-W



Product Diagram