

LAVATORY FAUCET

LF1234BR2-4C



Description

- Brass Material
- Deck-mounted

Codes/Standards Applicable

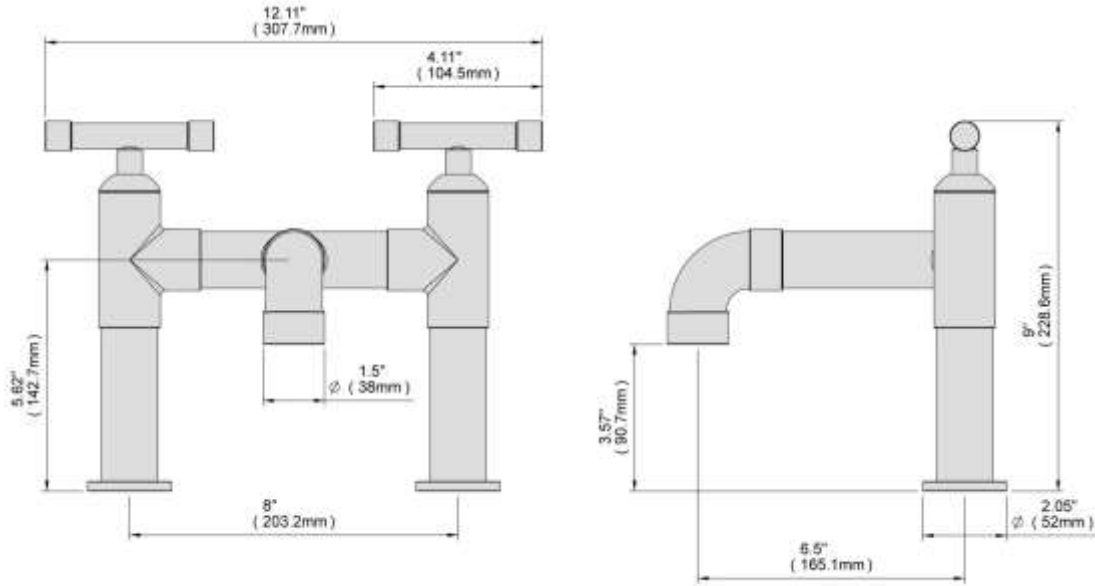
Specified model meets or exceeds the following:

- ASME A112.18.1
- ADA Compliant
- 1.5 GPM at 60 PSI

Colors/Finishes

- Polished Chrome
- Brushed Chrome
- Polished Nickel
- Satin Nickel
- Copper

LAVATORY FAUCET
LF1234BR2-4C



PRODUCT DIAGRAM