

LAVATORY FAUCET

LF1223BR13-4PC

PF-103



Description

- Brass Material
- Wall-Mounted

Codes/Standards Applicable

Specified model meets or exceeds the following:

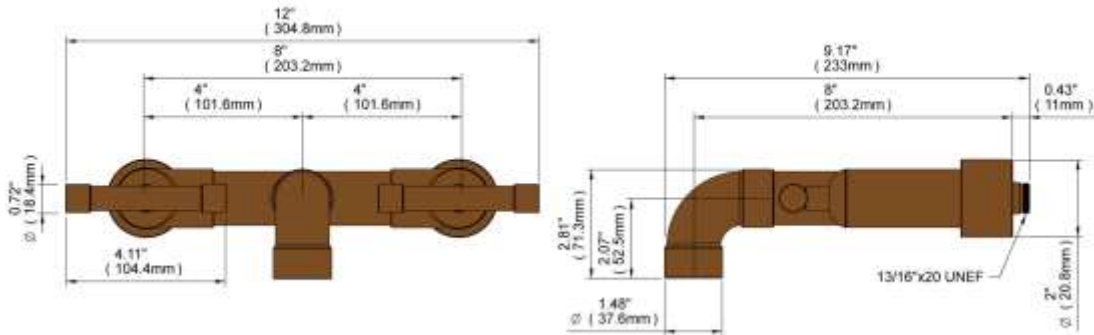
- ASME A112.18.1
- ADA Compliant
- 1.5 GPM at 60 PSI

Colors/Finishes

- Polished Chrome
- Brushed Chrome
- Polished Nickel
- Satin Nickel

Lavatory Faucet Series

LAVATORY FAUCET LF1223BR13-4PC PF-103



PRODUCT DIAGRAM