

TUB FILLER

TF1035BR13PC



Description

- Brass Material
- Deck Mount goose neck tub filler
- Hot and cold lever handles
- Hand held shower included

Codes/Standards Applicable

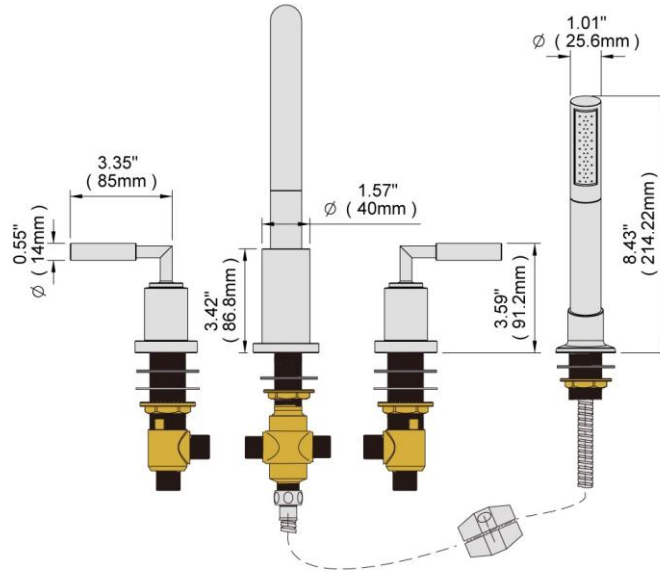
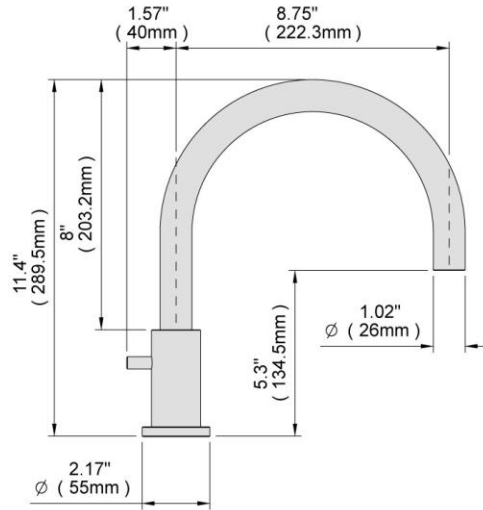
Specified model meets or exceeds the following:

- ASME A112.18.1
- ADA Compliant

Colors/Finishes

- Polished Chrome
- Brushed Chrome
- Polished Nickel
- Satin Nickel

TUB FILLER
TF1035BR13PC



Product Diagram