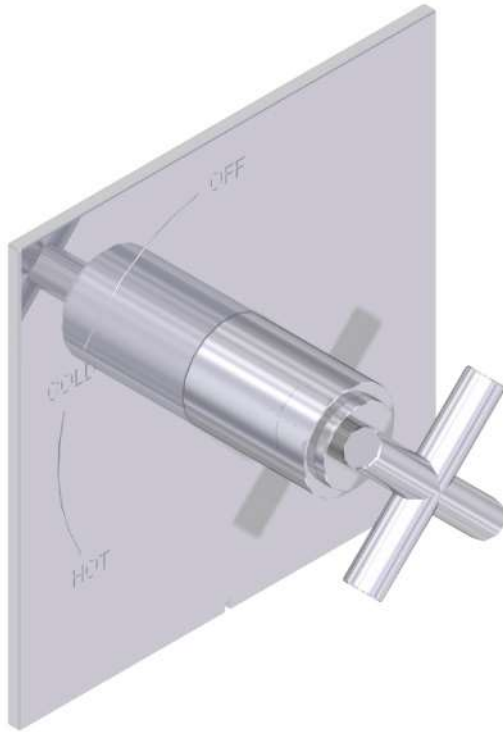


TUB & SHOWER TRIM

STWOD1111BR8PC



Description

- Brass Material
- Single lever
- Square face plate
- Shower only trim
- Screwless face plate
-

Codes/Standards Applicable

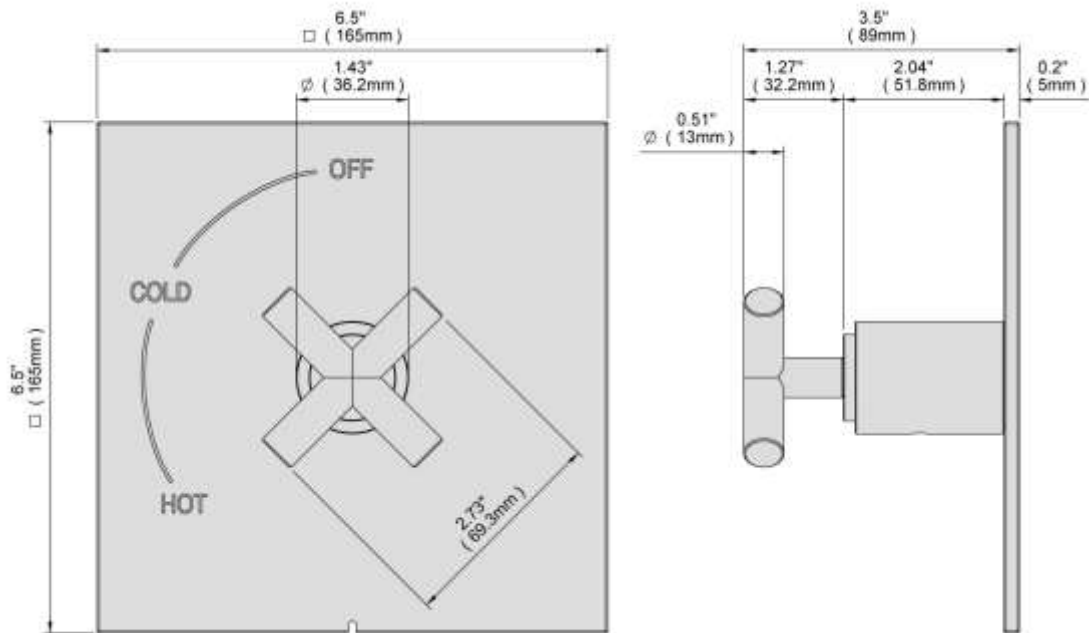
Specified model meets or exceeds the following:

- ASME/ANSI A112.18.1M
- ADA Compliant

Colors/Finishes

- Polished Chrome
- Brushed Chrome
- Polished Nickel
- Satin Nickel

TUB & SHOWER TRIM
STWOD1111BR8PC



Product Diagram