

## SHOWER HEAD

SH1107BR13PC



### Description

- Brass material
- Square Shower Head
- Spray adjusting handle

### Codes/Standards Applicable

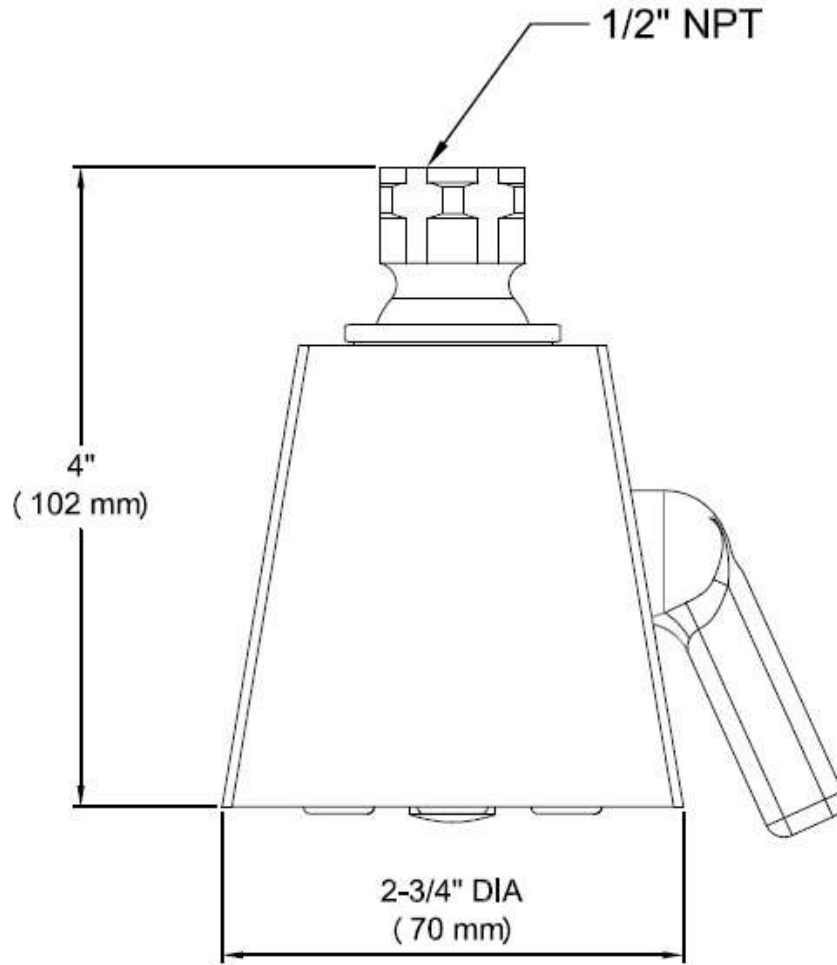
Specified model meets or exceeds the following:

- ASME A112.18.1
- 2.0 GPM at 80 PSI

### Colors/Finishes

- Polished Chrome
- Brushed Nickel

**SHOWER HEAD**  
SH1107BR13PC



**Product Diagram**