

LAVATORY FAUCET

LF1245BR2-4PC



Description

- Brass Material
- Deck mount
- Square faucet with lever handles
- Pull rod in rear for pop up drain

Codes/Standards Applicable

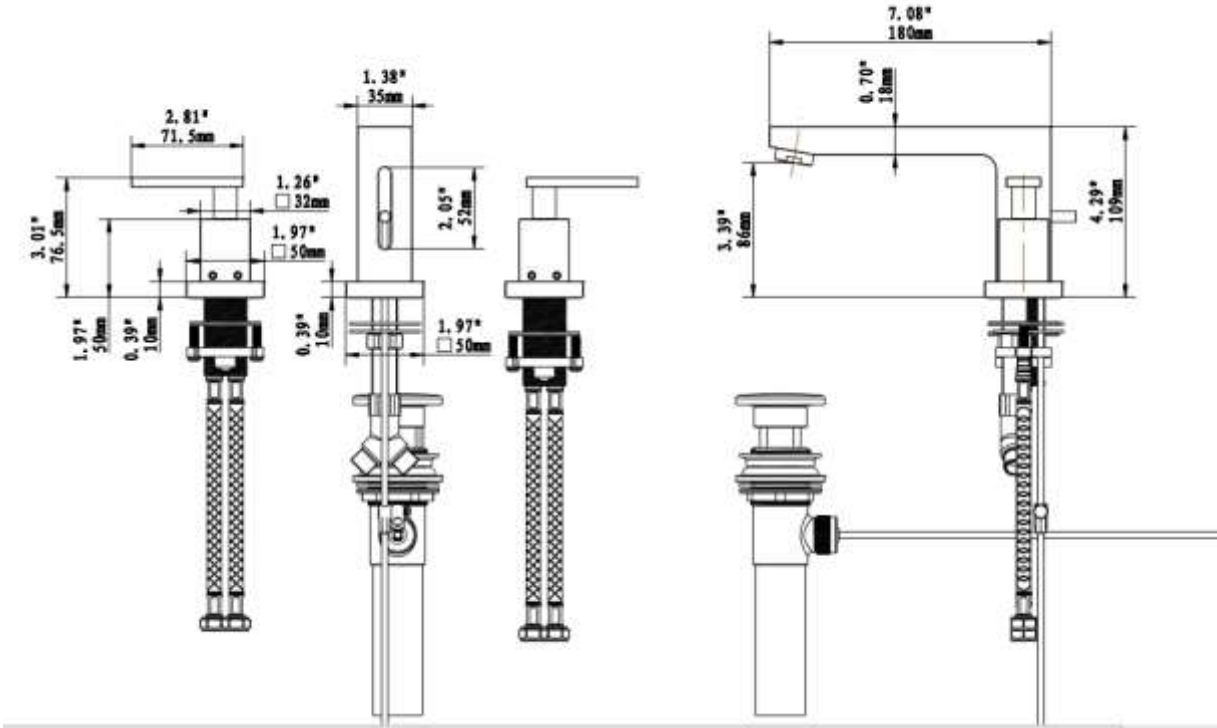
Specified model meets or exceeds the following:

- ASME A112.18.1
- ADA Compliant
- 1.5 GPM at 60 PSI

Colors/Finishes

- Polished Chrome
- Brushed Chrome
- Polished Nickel
- Satin Nickel

LAVATORY FAUCET
LF1245BR2-4PC



Product Diagram