

LAVATORY FAUCET

LF1237BR2-9PC



Description

- Brass Material
- Single Lever Faucet

Codes/Standards Applicable

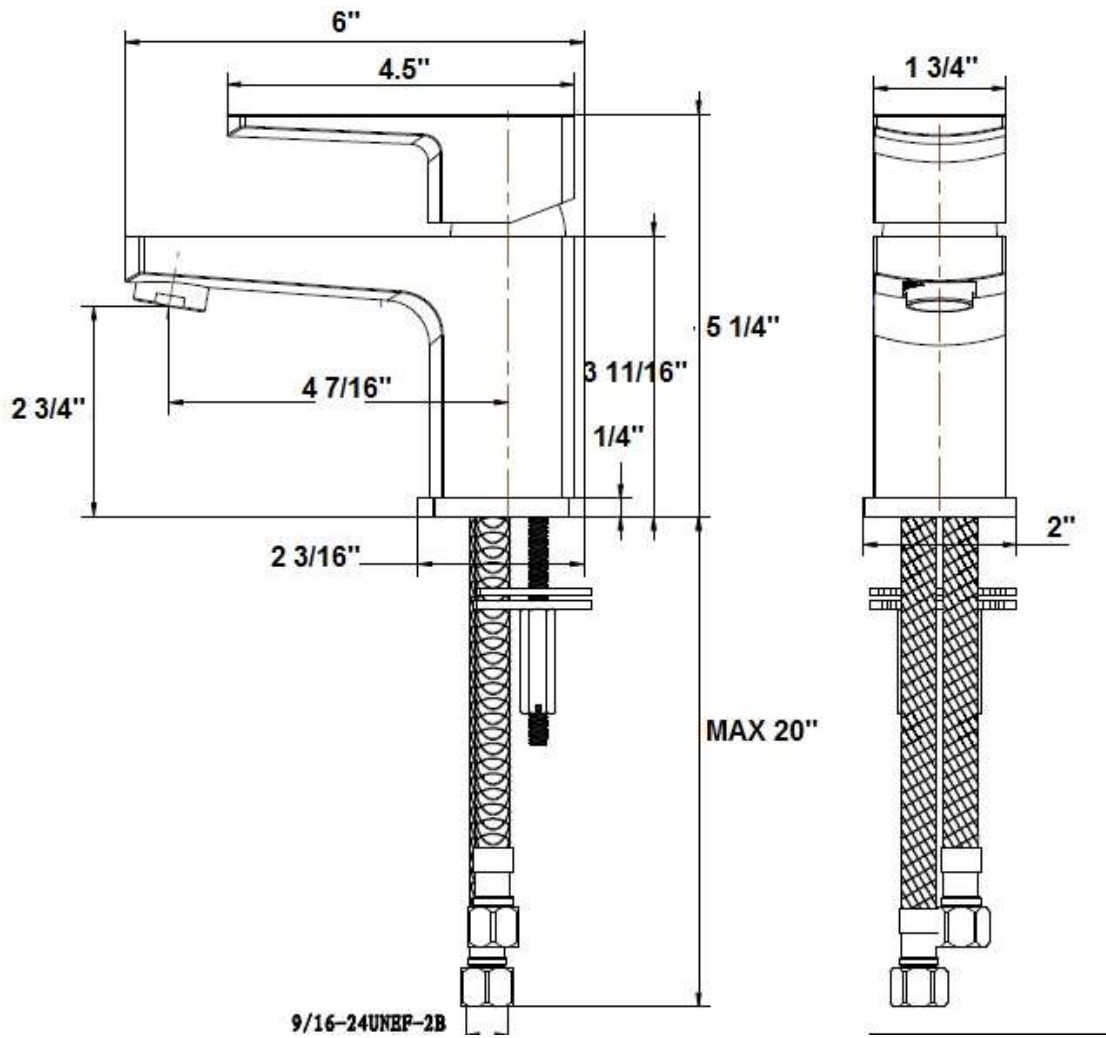
Specified model meets or exceeds the following:

- ASME A112.18.1
- ADA Compliant
- 1.5 GPM at 60 PS

Colors/Finishes

- Polished Chrome
- Brushed Chrome
- Polished Nickel
- Satin Nickel

LAVATORY FAUCET
LF1237BR2-9PC



PRODUCT DIAGRAM