

## TUB & SHOWER TRIM

TD1057BR13PC



### Description

- All brass material
- Round face plate
- Solid brass cross handle with integral diverter

### Codes/Standards Applicable

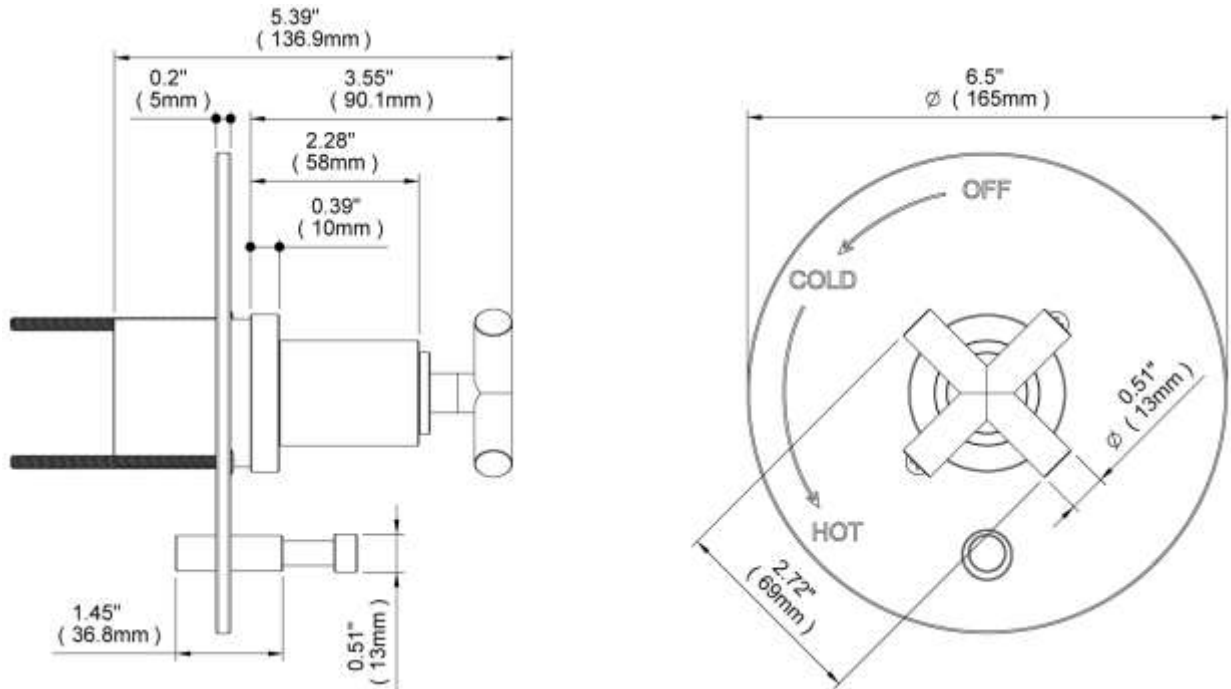
Specified model meets or exceeds the following:

- ASME/ANSI A112.18.1M

### Colors/Finishes

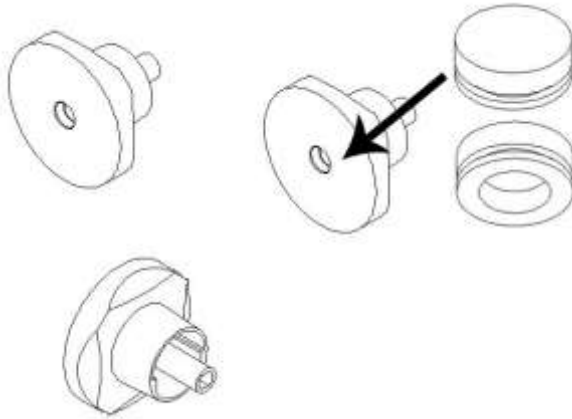
- Polished Chrome
- Brushed Chrome
- Polished Nickel
- Satin Nickel

**TUB & SHOWER TRIM**  
TD1057BR13PC



**Product Diagram**

**TUB & SHOWER TRIM**  
TD1054BR13PC- HANDLE AND BUTTON



**Description**

- All brass material
- Screw cap hides screw
- Polished screw finish

**Codes/Standards Applicable**

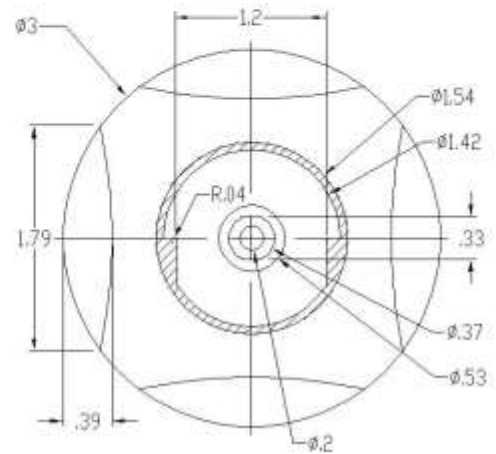
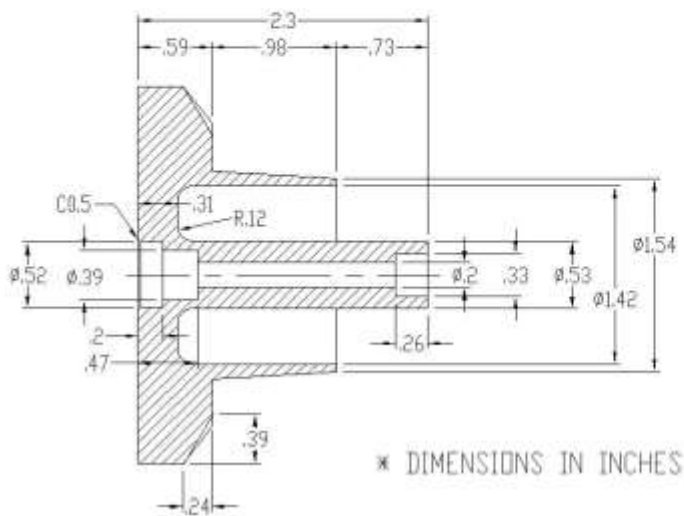
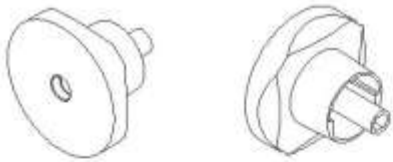
Specified model meets or exceeds the following:

- ASME/ANSI A112.18.1M

**Colors/Finishes**

- Polished Chrome
- Brushed Chrome
- Polished Nickel
- Satin Nickel

### TUB & SHOWER TRIM TD1054BR13PC-HANDLE AND BUTTON



### Product Diagram