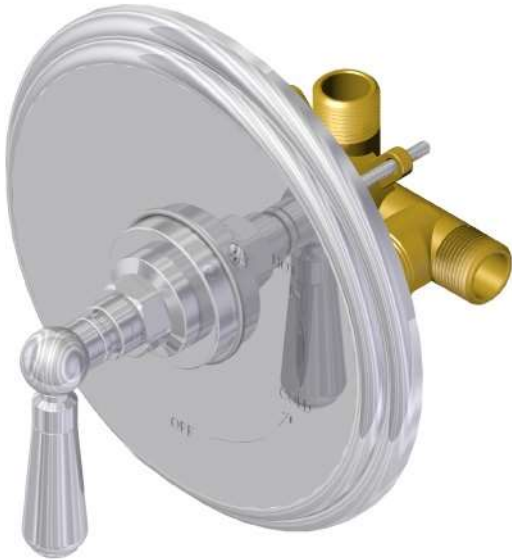


## TUB & SHOWER TRIM

STWOD1094BR8PC



### Description

- Solid Brass Material
- Shower trim without diverter

### Codes/Standards Applicable

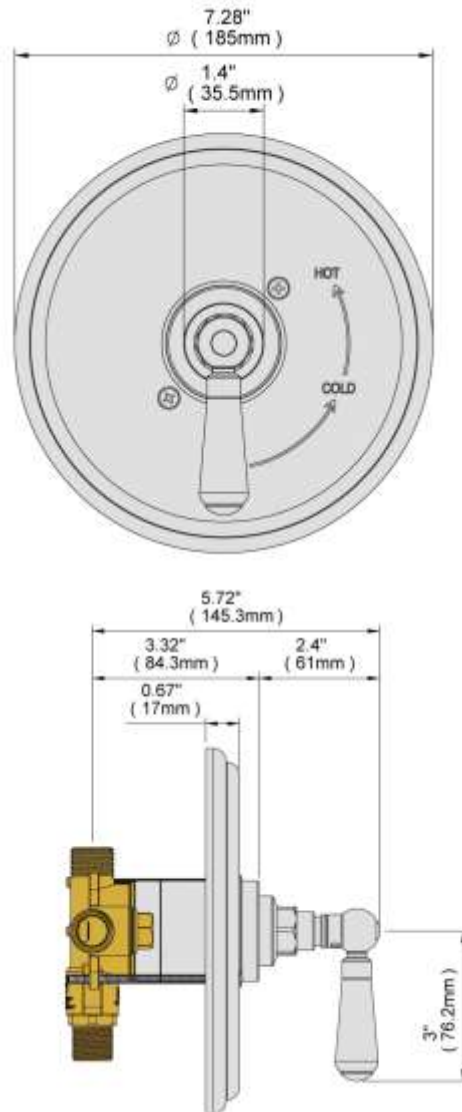
Specified model meets or exceeds the following:

- ASME/ANSI A112.18.1M
- ADA Compliant

### Colors/Finishes

- Polished Chrome
- Brushed Chrome
- Polished Nickel
- Satin Nickel

## TUB & SHOWER TRIM STWOD1094BR8PC



### Product Diagram