

SHOWER TRIM STWOD1040BR8PC



Description

- Solid Brass Material
- Flat , Minimalist Face Plate
- Cross Handle
- Available with Custom Cross Handles

Codes/Standards Applicable

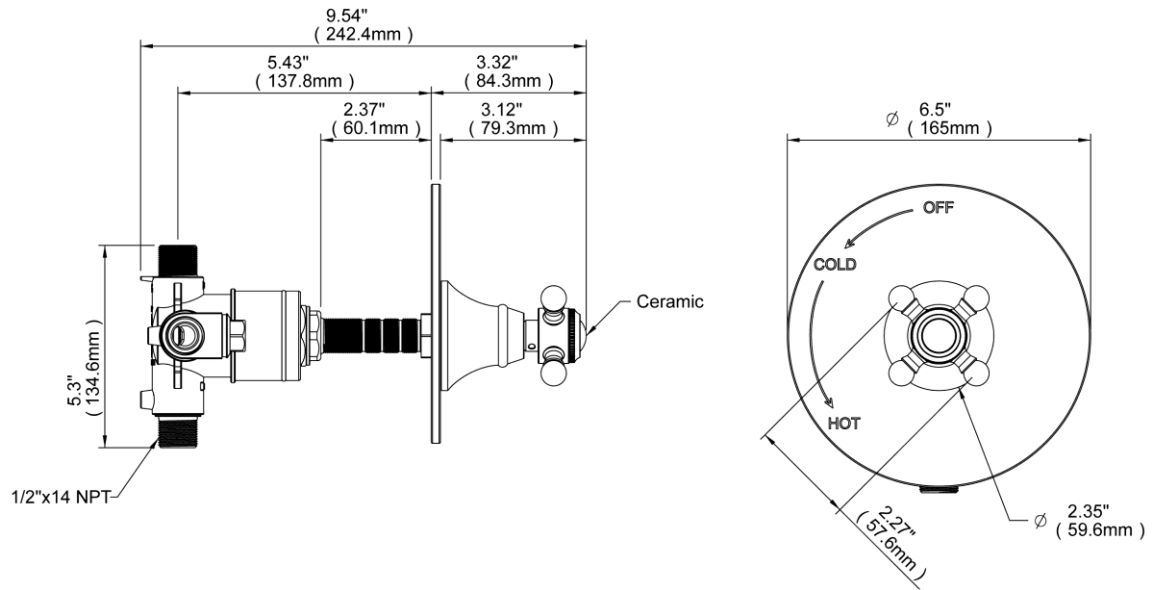
Specified model meets or exceeds the following:

- ASME/ANSI A112.18.1M

Colors/Finishes

- Polished Chrome
- Brushed Chrome
- Polished Nickel
- Satin Nickel

SHOWER TRIM
STWOD1040BR8PC



Product Diagram