

SHOWER HEAD

SH1082BR13PC



Description

- ABS Material

Codes/Standards Applicable

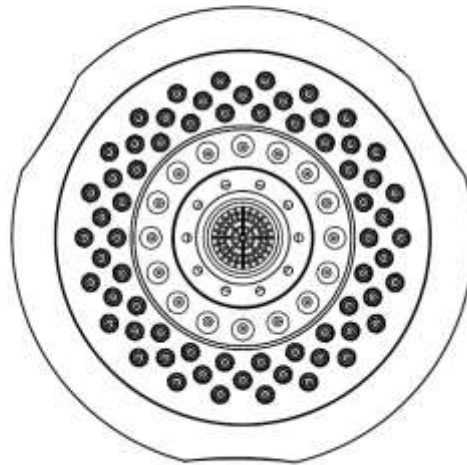
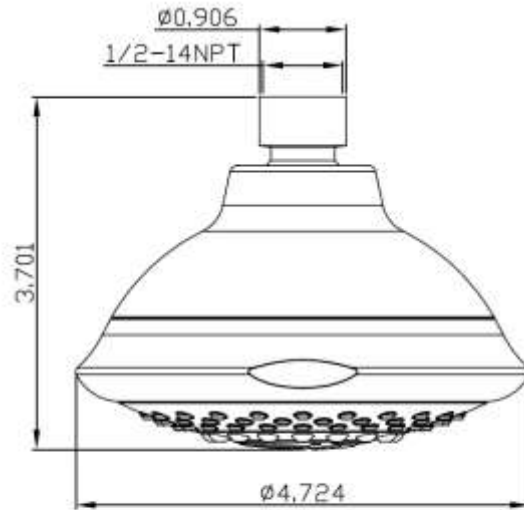
Specified model meets or exceeds the following:

- ASME A112.18.1
- 2.0 GPM at 80 PSI

Colors/Finishes

- Polished Chrome
- Brushed Chrome
- Polished Nickel
- Satin Nickel

SHOWER HEAD
SH1082BR13PC



Product Diagram