

SHOWER HEAD
SH1076BR20PC



Description

- All brass material
- Single Function
- Adjustable shower head

Codes/Standards Applicable

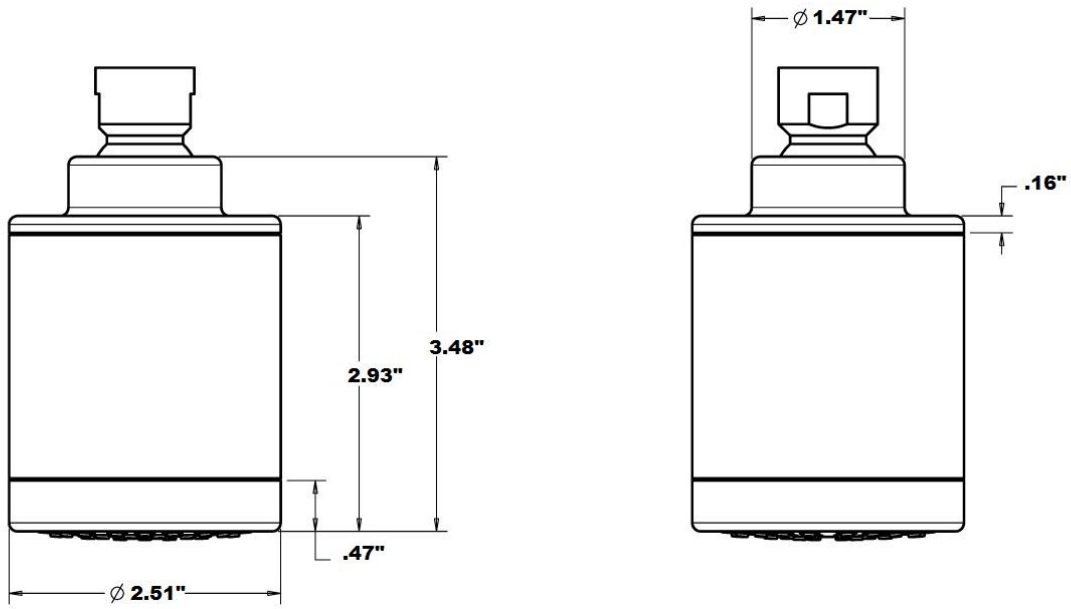
Specified model meets or exceeds the following:

- ASME A112.18.1
- 2.0 GPM at 80PSI

Colors/Finishes

- Polished Chrome
- Brushed Chrome
- Polished Nickel
- Satin Nickel

SHOWER HEAD
SH1076BR20PC



Product Diagram