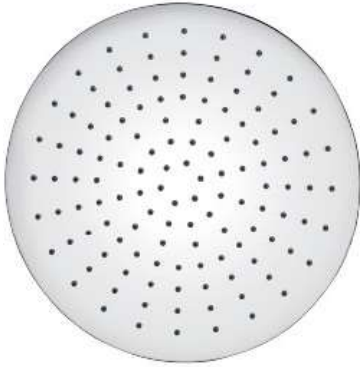


SHOWER HEAD

SH1073BR13PC



Description

- All Brass Material
- 10" Round shower head
- Rubber nozzles for easy cleaning

Codes/Standards Applicable

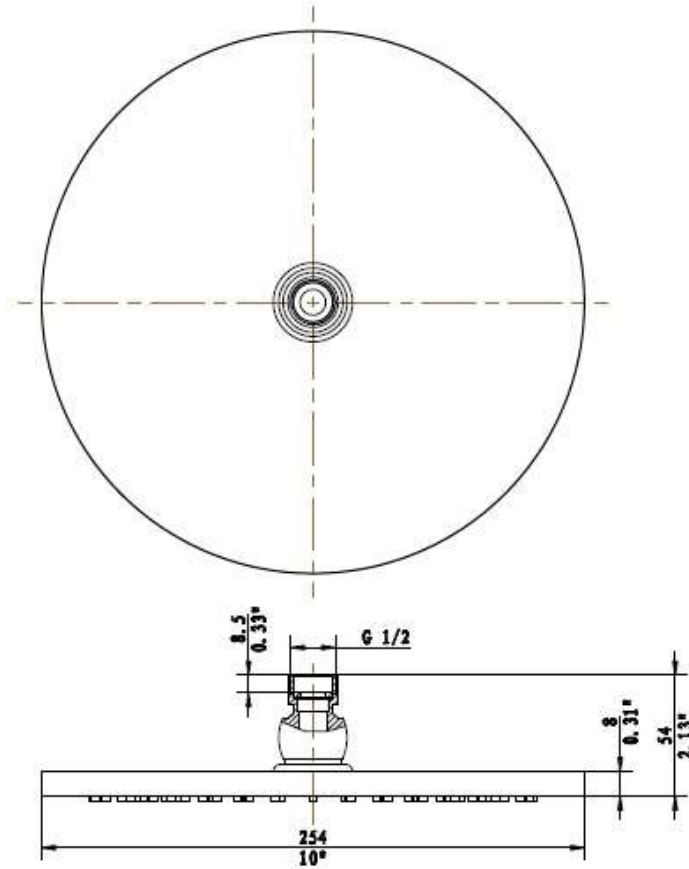
Specified model meets or exceeds the following:

- ASME/ANSI A112.18.1M
- 2.0 GPM at 80 PSI

Colors/Finishes

- Polished Chrome
- Brushed Chrome
- Polished Nickel
- Satin Nickel

SHOWER HEAD
SH1073BR13PC



Product Diagram