

**SHOWER HEAD**  
SH1066BR20PC



**Description**

- ABS material
- Multi function

**Codes/Standards Applicable**

Specified model meets or exceeds the following:

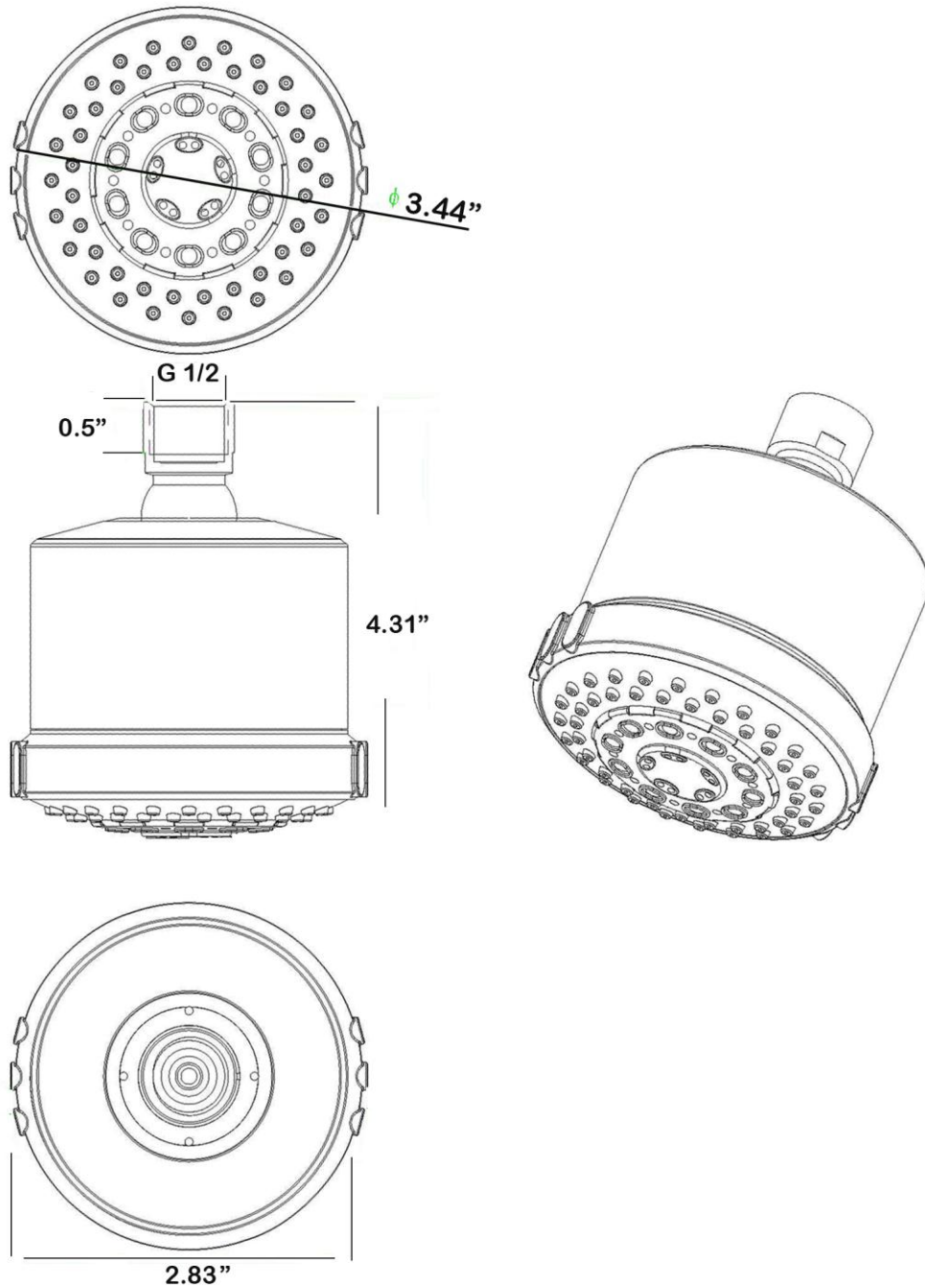
- ASME A112.18.1
- 2.0 GPM at 80 PSI

**Colors/Finishes**

- Polished Chrome
- Brushed Chrome
- Polished Nickel
- Satin Nickel

**SHOWER HEAD**

SH1066BR20PC



**Product Diagram**

