

## SHOWER HEAD

SH1043BR13PC



### Description

- Brass Material
- 3" round shower head
- 6 Jets
- 3 functions

### Codes/Standards Applicable

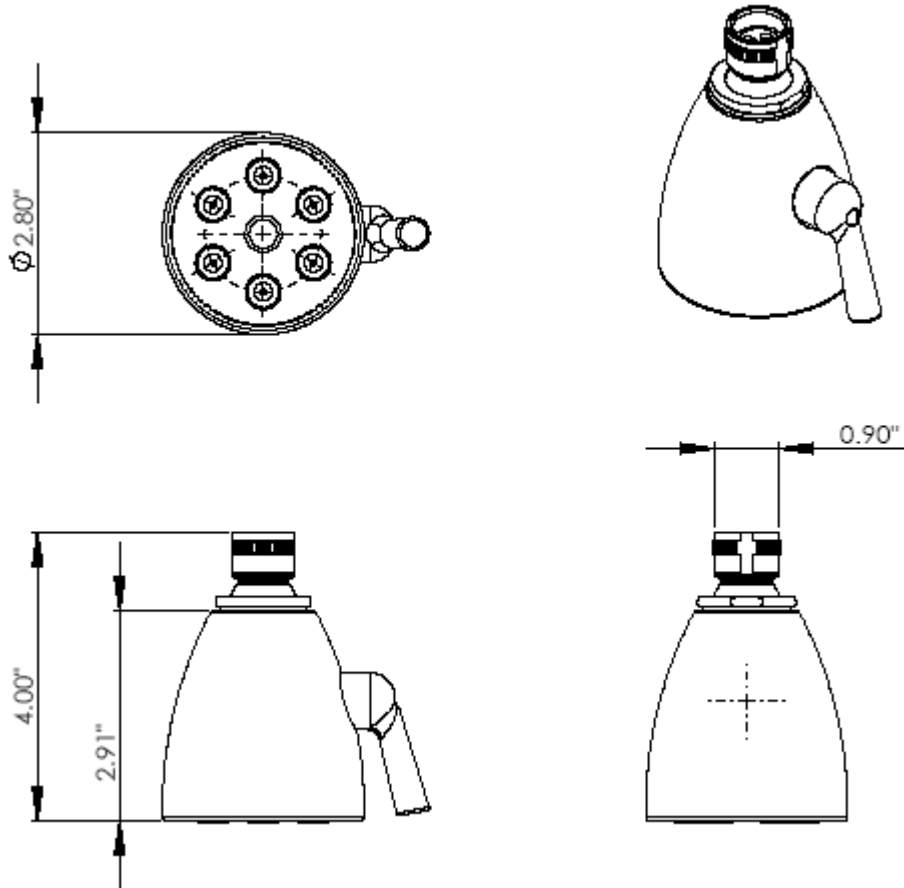
Specified model meets or exceeds the following:

- ASME/ANSI A112.18.1M
- 2.0 GPM at 80 PSI

### Colors/Finishes

- Polished Chrome
- Brushed Chrome
- Polished Nickel
- Satin Nickel

**SHOWER HEAD**  
SH1043BR13PC



**Product Diagram**