

LAVATORY
LV1020CE2



Description

- Ceramic
- 18"

Codes/Standards Applicable

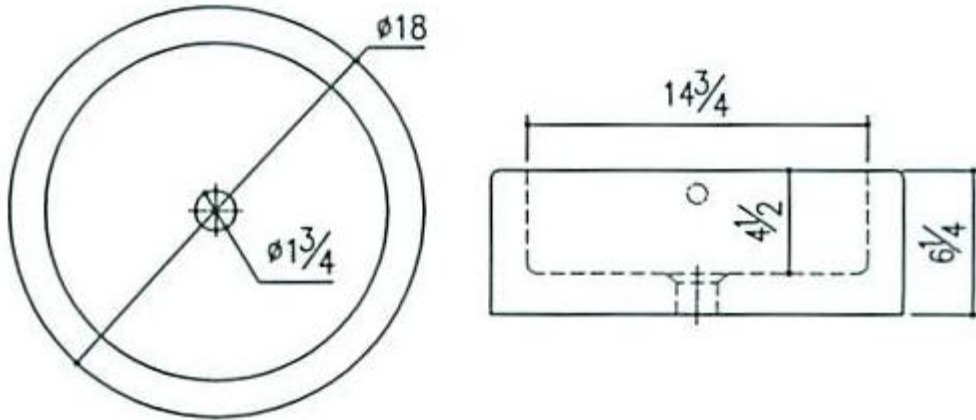
Specified model meets or exceeds the following:

- ASME A112.19.2

Colors/Finishes

- Glossy
- Matte

LAVATORY
LV1020CE2



Product Diagram