

**LAVATORY FAUCET**

LF1145BR2-4PC



**Description**

- All Brass Material
- Deck Mount Lav  
Faucet
- Lever Handles

**Codes/Standards Applicable**

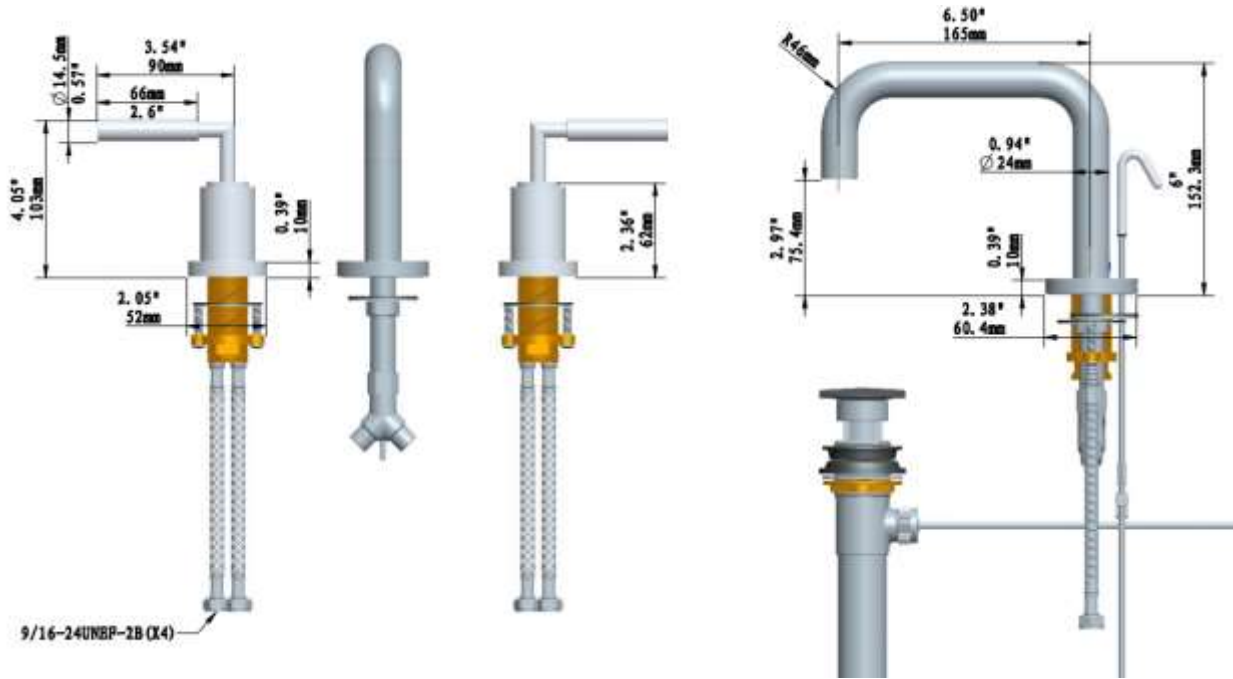
Specified model meets or exceeds the following:

- ASME A112.18.1
- 1.5 GPM at 60 PSI
- ADA Compliant

**Colors/Finishes**

- Polished Chrome
- Brushed Chrome
- Polished Nickel
- Satin Nickel

**LAVATORY FAUCET**  
LF1145BR2-4PC



**Product Diagram**