

KITCHEN SINK

KS1092SS12SS



Description

- 304 Stainless Steel
- 16 Gauge
- Rounded Corners
- 30"x18"x10"
- Undermount installation
- Sound deadening pads on sides and bottom
- Grid Strainer included

Codes/Standards Applicable

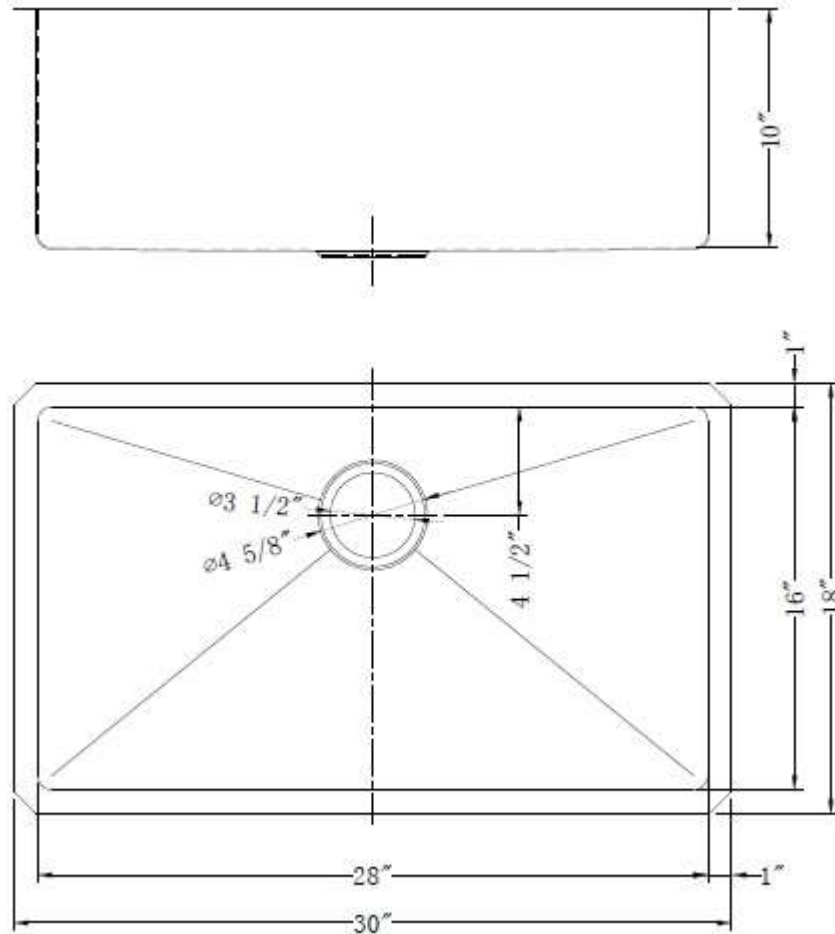
Specified model meets or exceeds the following:

- ASME A112.19.3

Colors/Finishes

- Satin Finish
- Mirror Finish

KITCHEN SINK
KS1092SS12SS



Product Diagram