

**KITCHEN SINK**

KS1077SS12SS



**Description**

- 304 Stainless Steel
- 16 Gauge
- Zero Radius corners
- 11"x20"x8"
- Sound deadening pads on sides and bottom

**Codes/Standards Applicable**

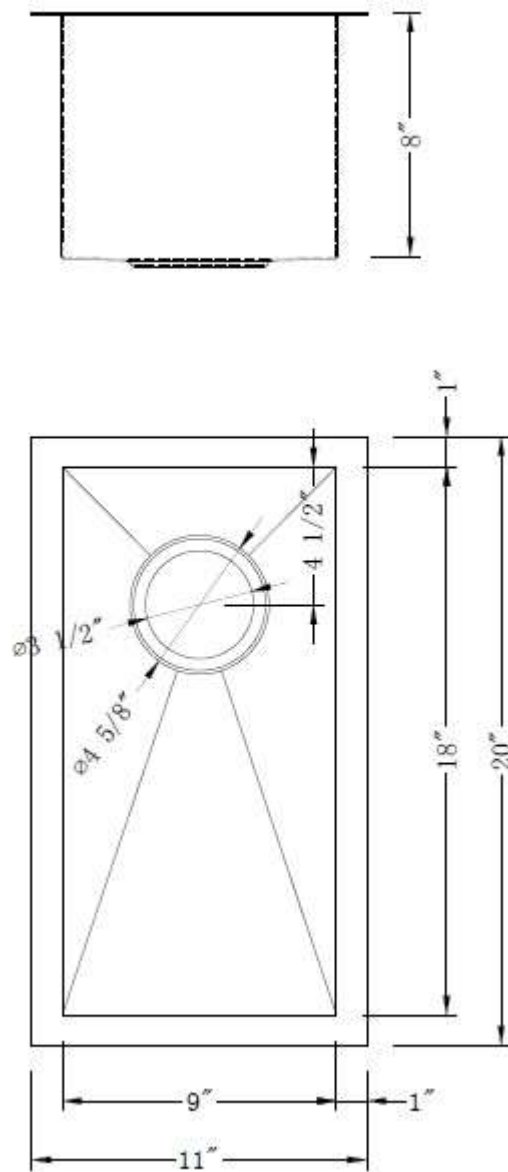
Specified model meets or exceeds the following:

- ASME A112.19.3

**Colors/Finishes**

- Satin Finish

**KITCHEN SINK**  
KS1077SS12SS



**Product Diagram**