

## KITCHEN SINK

KS1076SS12SS



### Description

- 304 Stainless Steel
- 16 Gauge
- Zero Radius corners
- 23"x18"x10"
- Sound deadening pads on sides and bottom of Sink
- Strainer included

### Codes/Standards Applicable

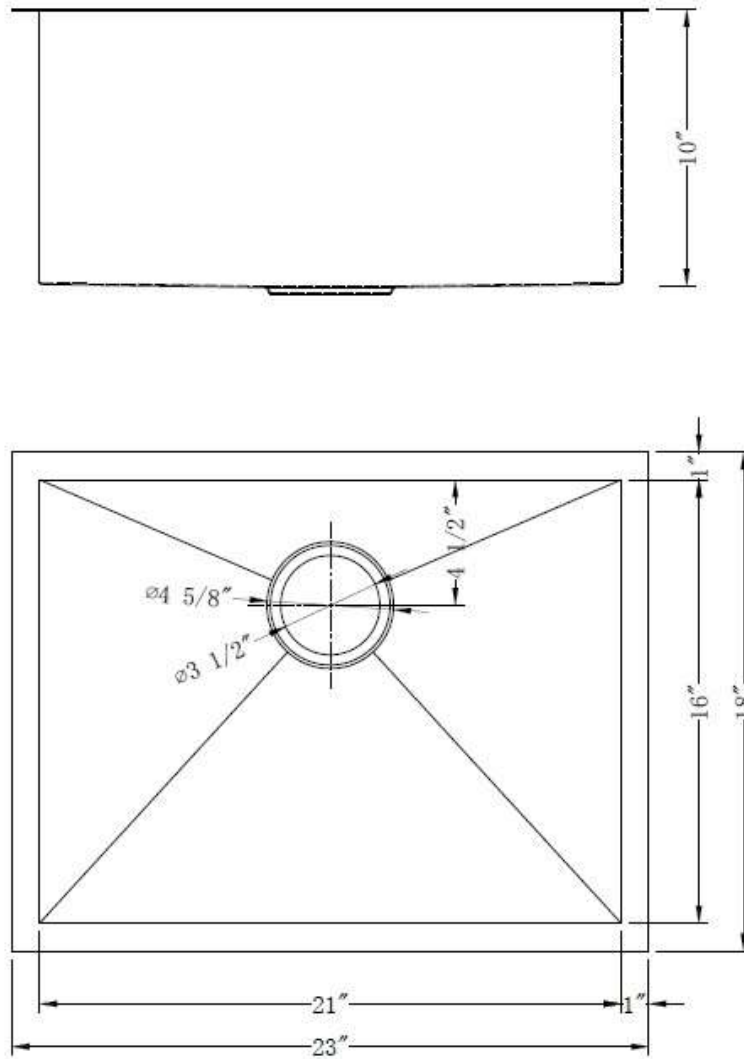
Specified model meets or exceeds the following:

- ASME A112.19.3

### Colors/Finishes

- Stainless Steel

**KITCHEN SINK**  
KS1076SS12SS



**Product Diagram**