

KITCHEN SINK

KS1060SS12SS



Description

- 304 Stainless Steel
- 16 Gauge
- Zero Radius corners
- 30"x18"x10"
- Sound deadening pads on sides and bottom

Codes/Standards Applicable

Specified model meets or exceeds the following:

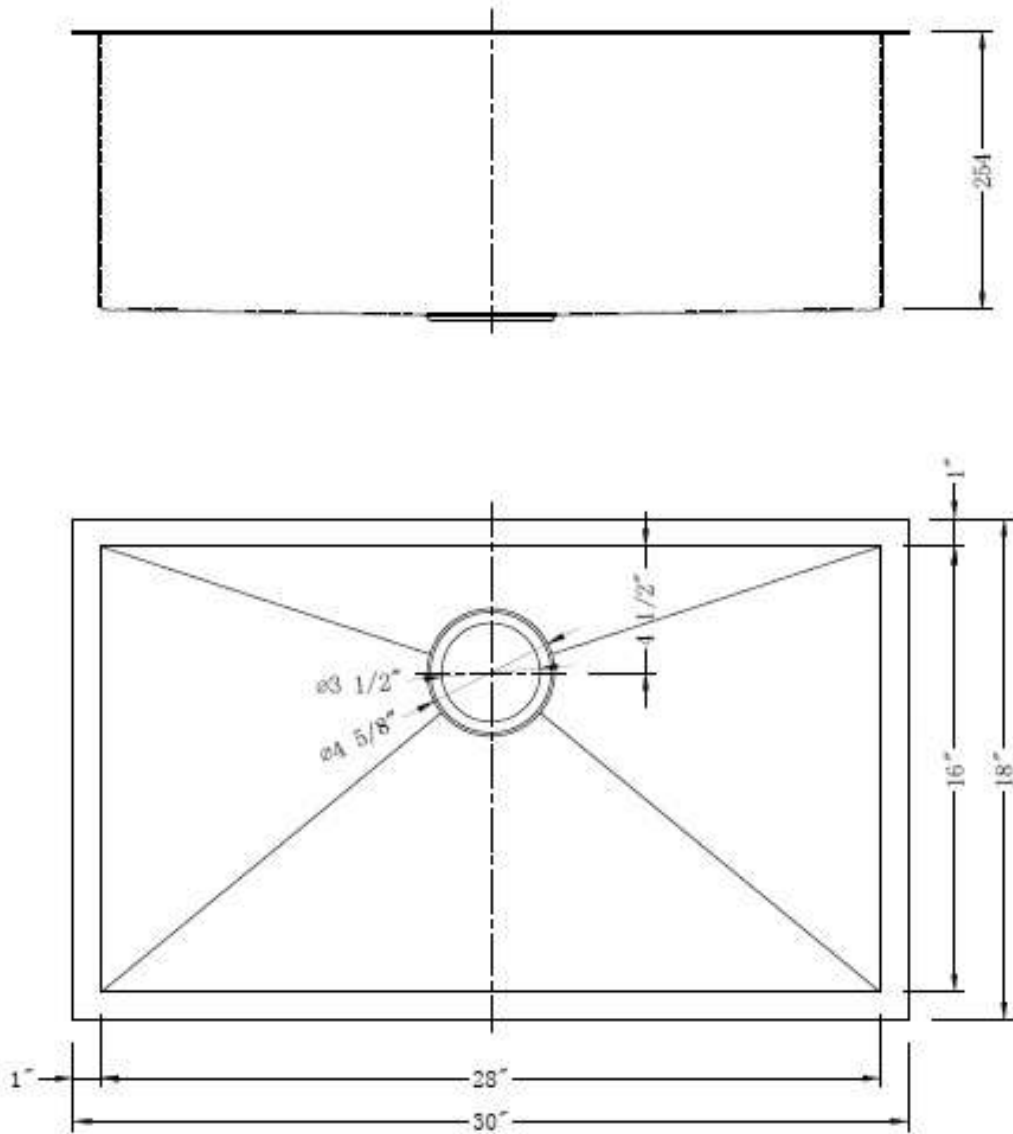
- ASME A112.19.3

Colors/Finishes

- Satin Finish

KITCHEN SINK

KS1060SS12SS



Product Diagram