

## KITCHEN FAUCET

KF1017BR2-10PC



### Description

- Brass Material
- Single lever handle
- Solid brass side spray

### Codes/Standards Applicable

Specified model meets or exceeds the following:

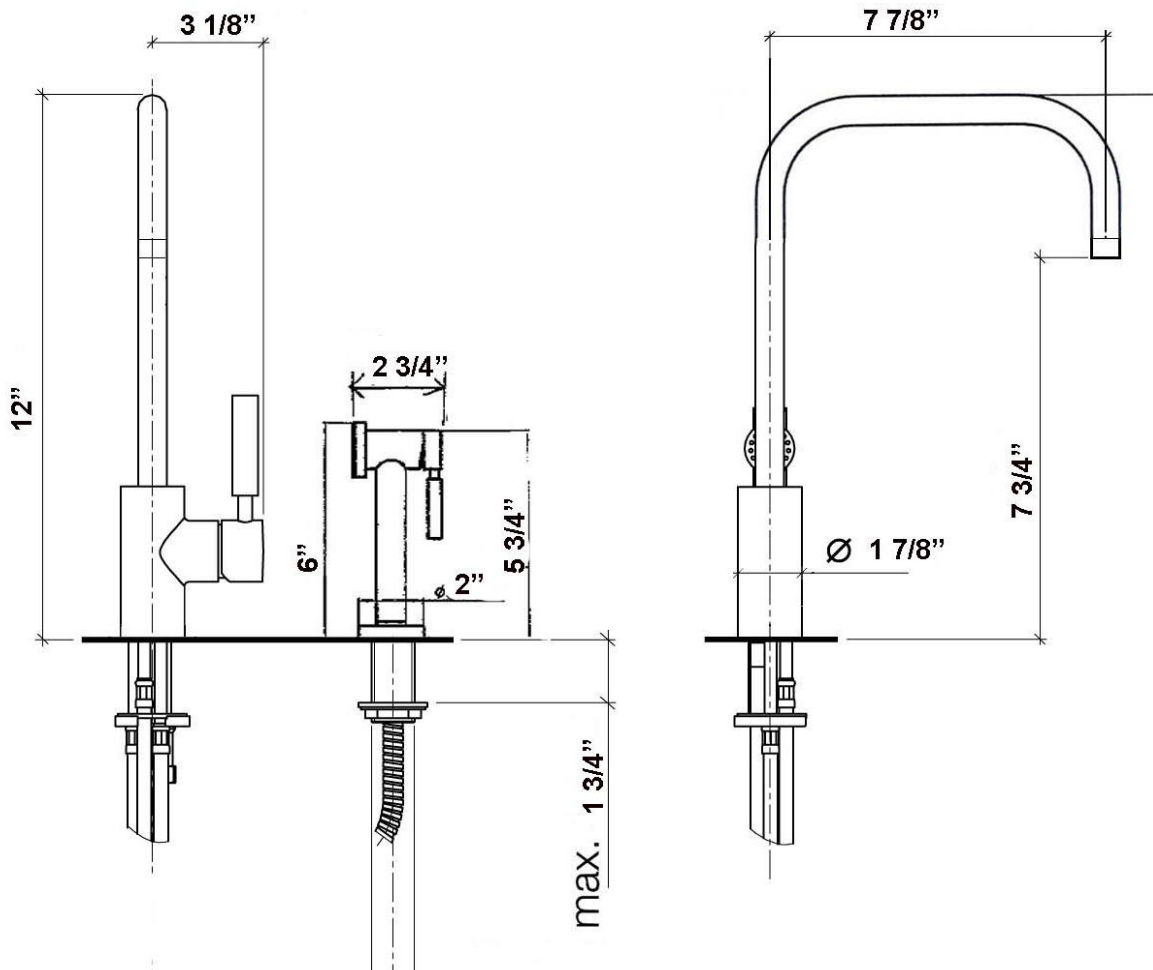
- ASME A112.18.1
- 2.2 GPM at 60 PSI
- Available with flow restrictor
- 2.0, 1.8 and 1.5 GPM available upon request
- ADA Compliant

### Colors/Finishes

- Polished Chrome
- Brushed Chrome
- Polished Nickel
- Satin Nickel

**KITCHEN FAUCET**

KF1017BR2-10PC



**Product Diagram**